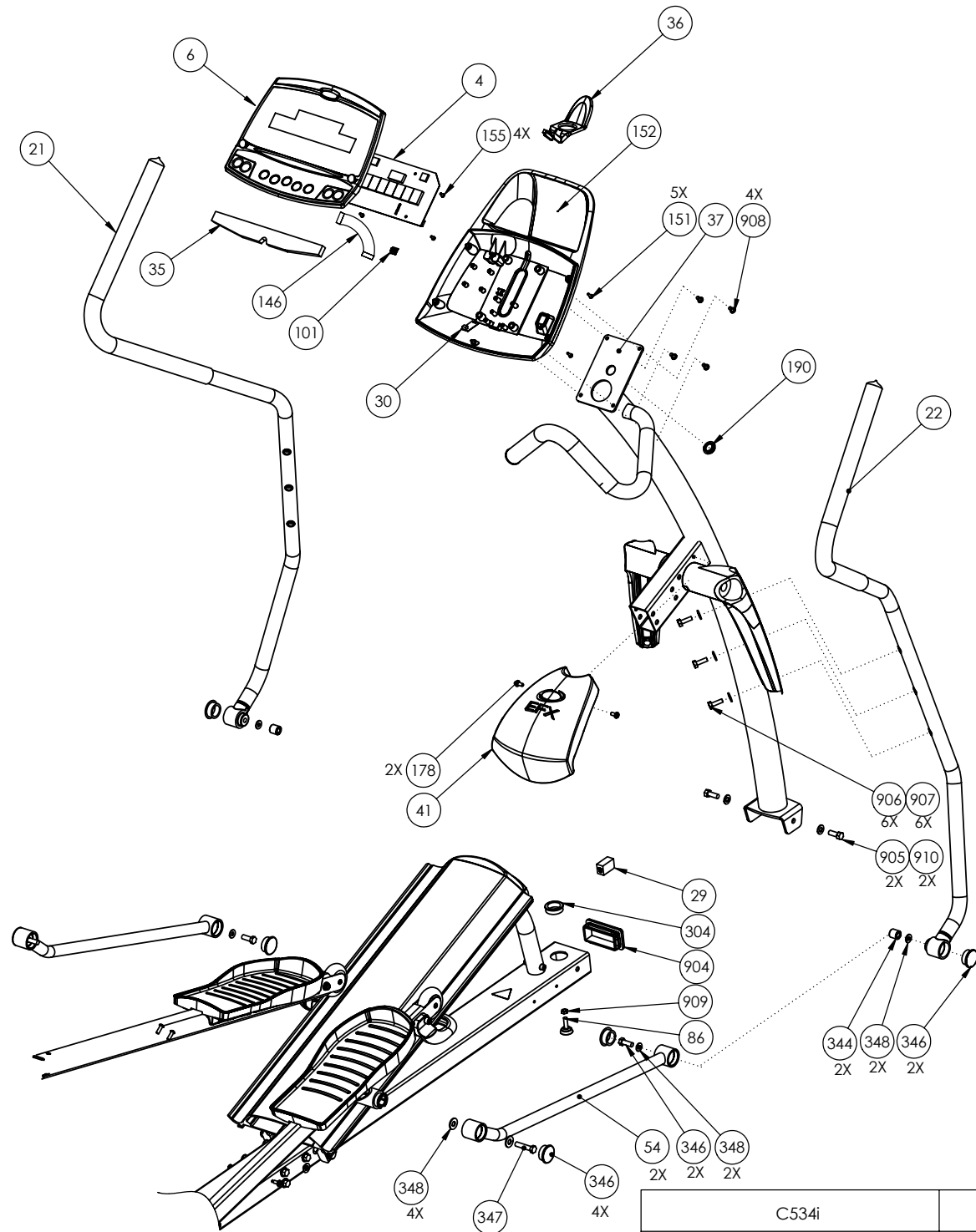
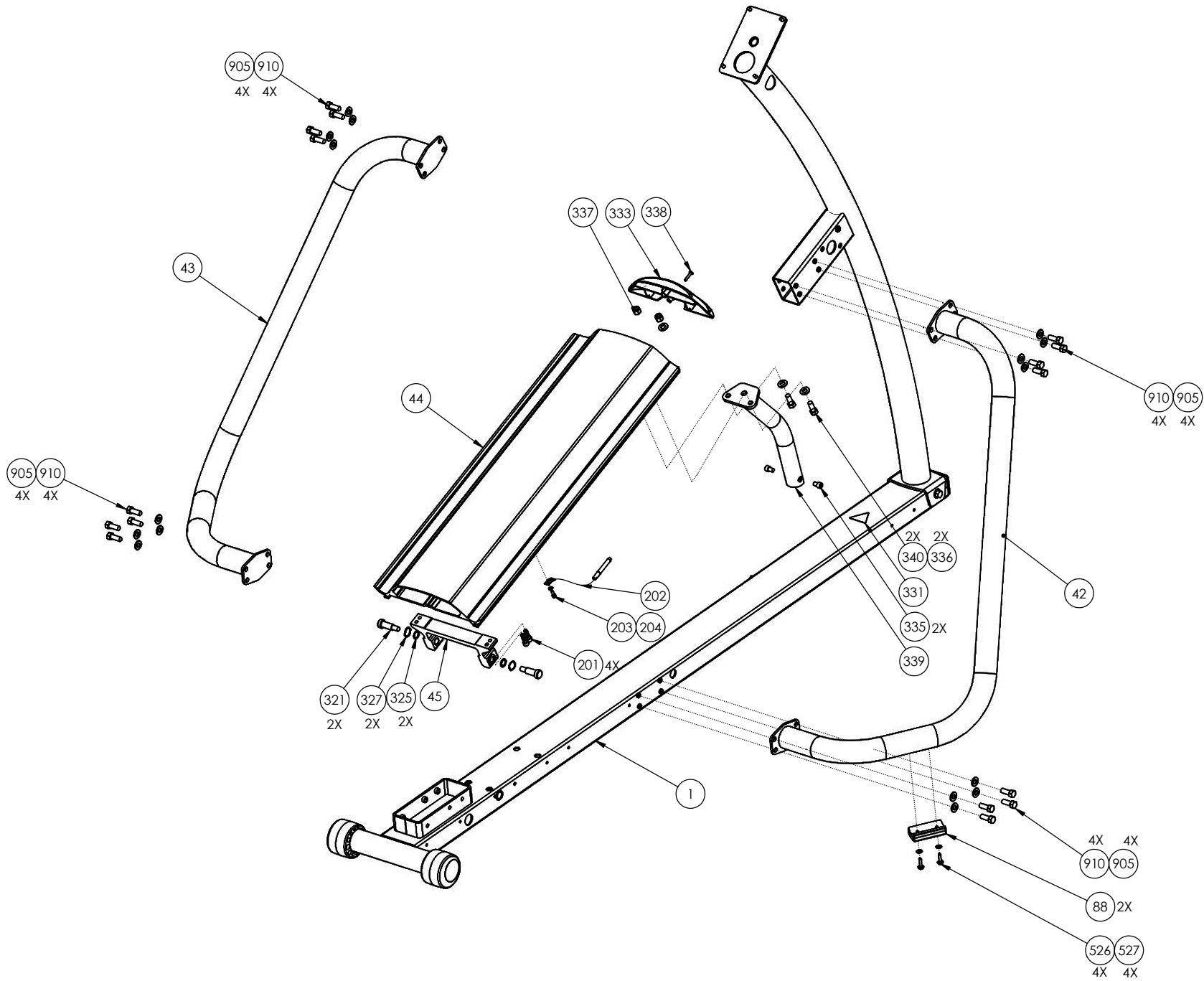


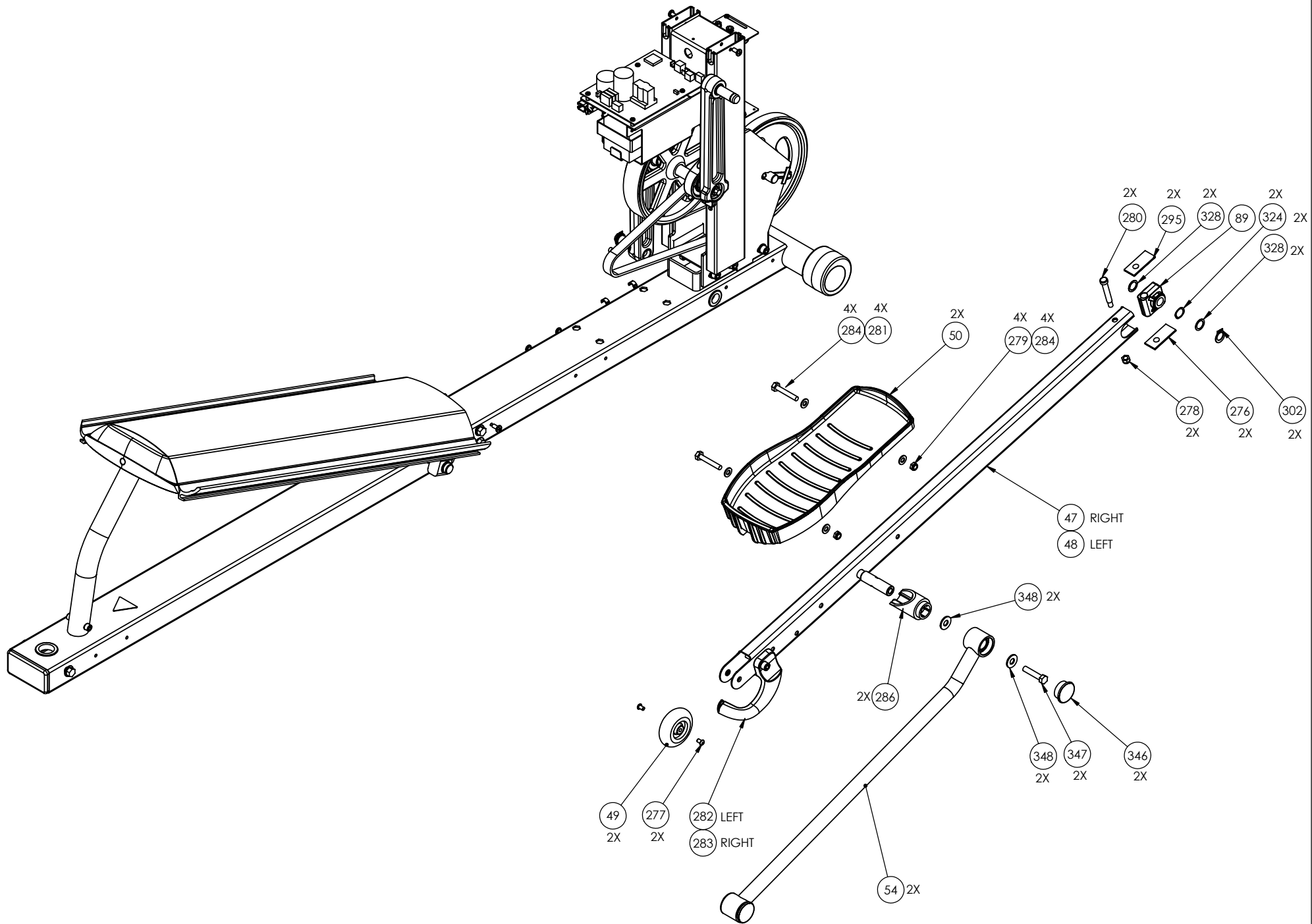
| | | |
|-----------------------|-----------------|--------------|
| C534i | P/N : 48304-101 | SUBREV : D |
| DRAWN BY : GRANADOSIN | DATE : 07.25.05 | SHEET 1 OF 7 |



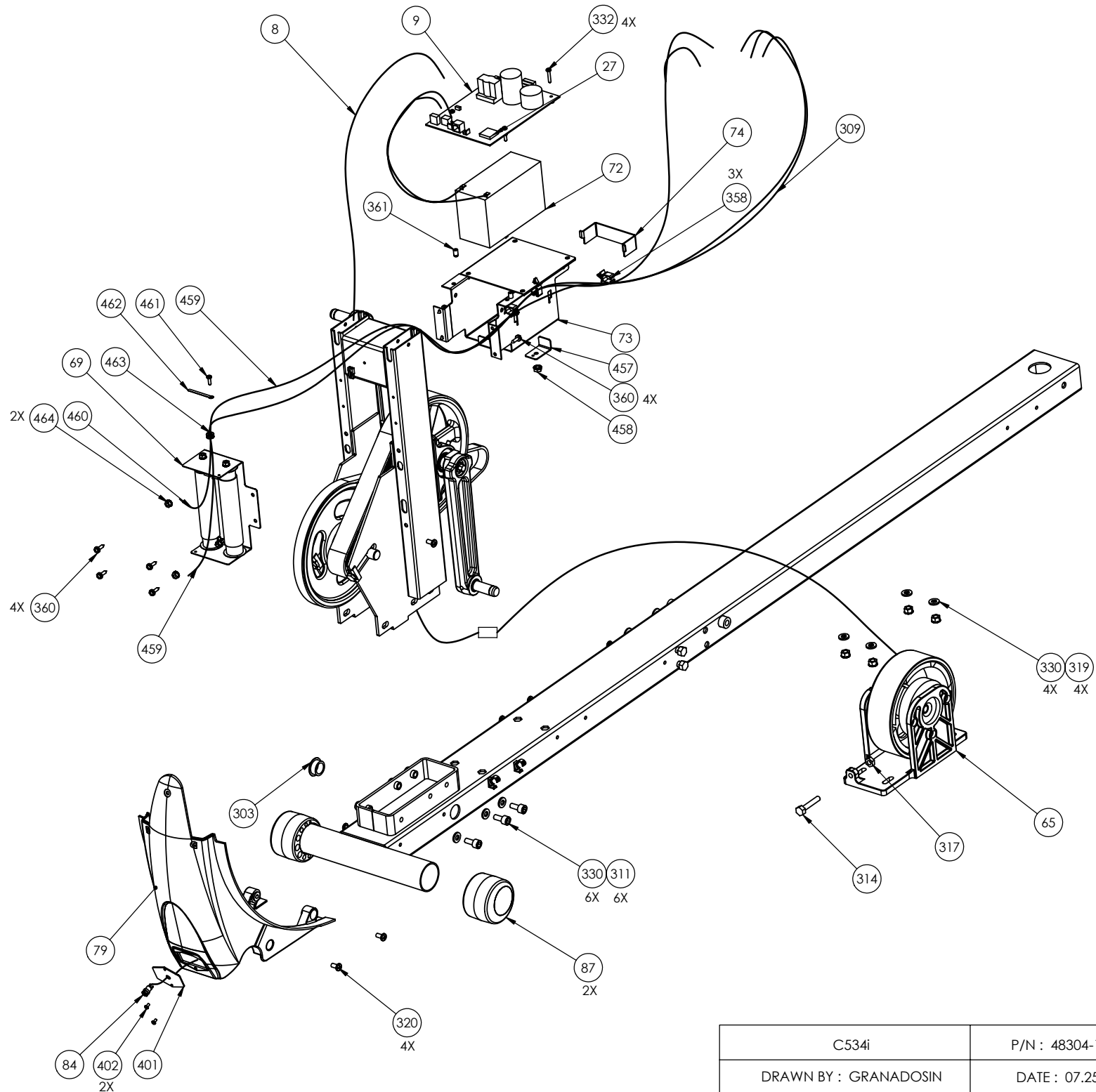
| | | |
|-----------------------|-----------------|--------------|
| C534i | P/N : 48304-101 | SUBREV : D |
| DRAWN BY : GRANADOSIN | DATE : 07.25.05 | SHEET 2 OF 7 |



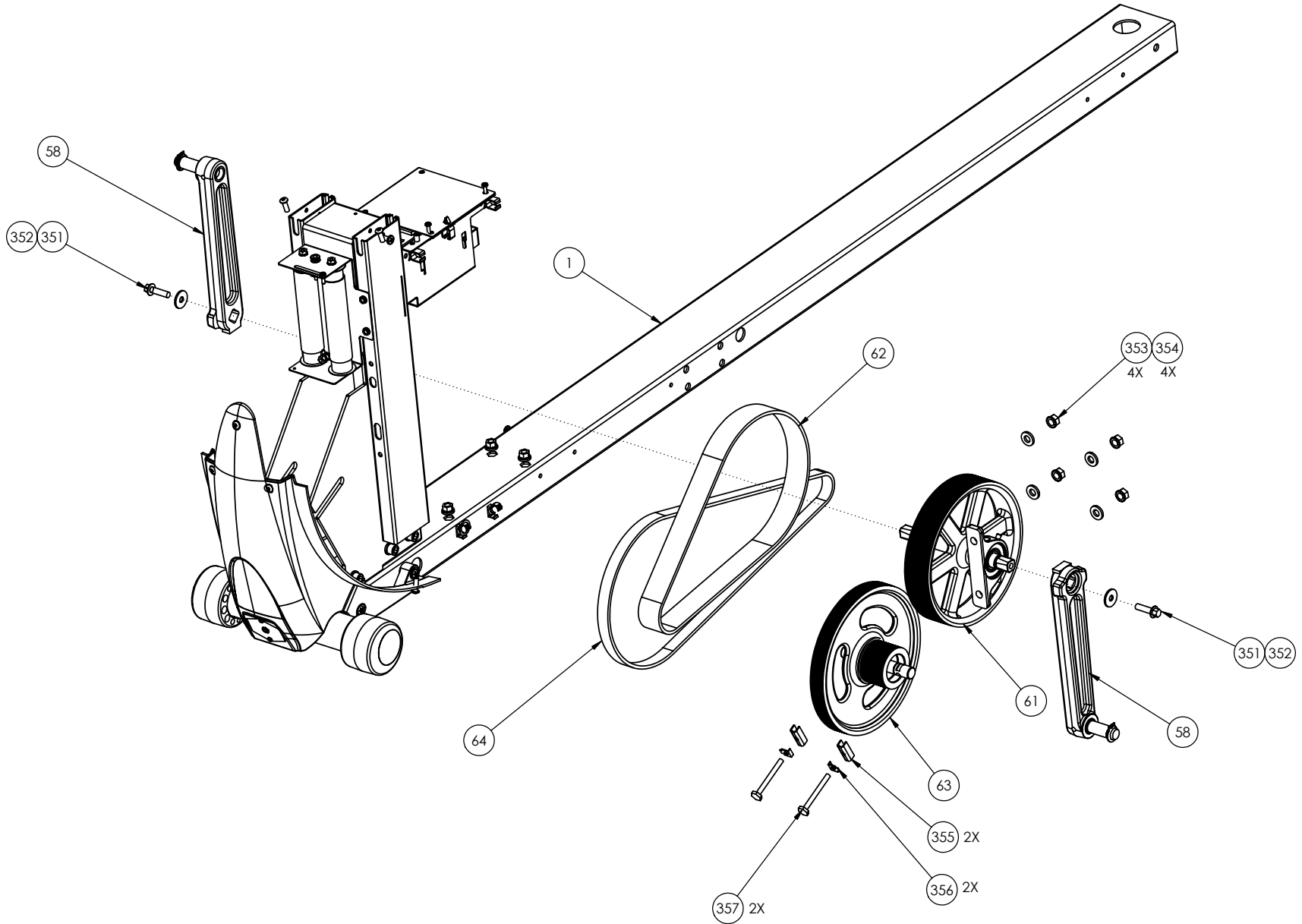
| | | |
|-----------------------|-----------------|--------------|
| C534i | P/N : 48304-101 | SUBREV : D |
| DRAWN BY : GRANADOSIN | DATE : 07.25.05 | SHEET 3 OF 7 |



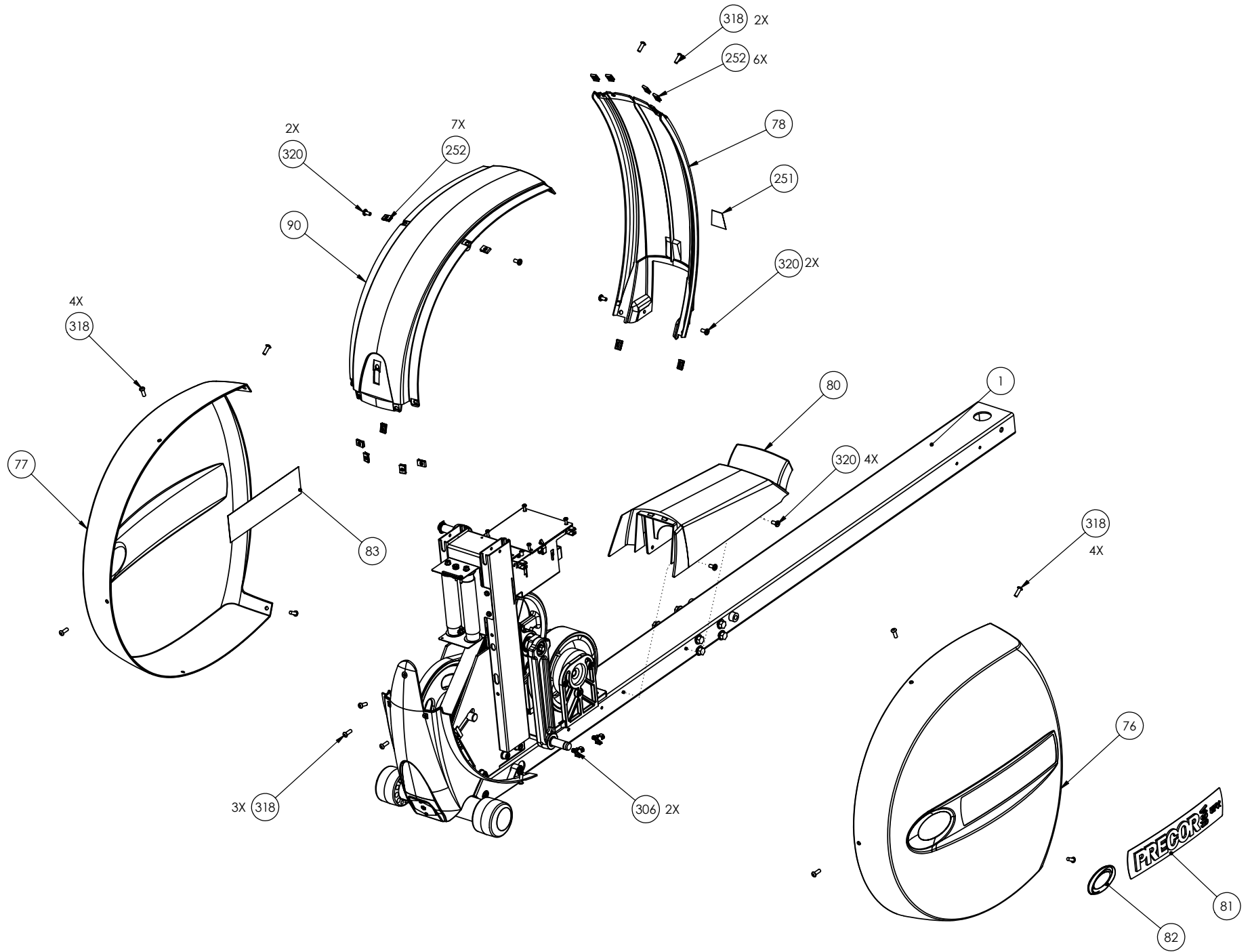
| | | |
|-----------------------|-----------------|--------------|
| C534i | P/N : 48304-101 | SUBREV : D |
| DRAWN BY : GRANADOSIN | DATE : 07.25.05 | SHEET 4 OF 7 |



| | | |
|-----------------------|-----------------|--------------|
| C534i | P/N : 48304-101 | SUBREV : D |
| DRAWN BY : GRANADOSIN | DATE : 07.25.05 | SHEET 5 OF 7 |



| | | |
|-----------------------|-----------------|--------------|
| C534i | P/N : 48304-101 | SUBREV : D |
| DRAWN BY : GRANADOSIN | DATE : 07.25.05 | SHEET 6 OF 7 |



| | | |
|-----------------------|-----------------|--------------|
| C534i | P/N : 48304-101 | SUBREV : D |
| DRAWN BY : GRANADOSIN | DATE : 07.25.05 | SHEET 7 OF 7 |

C534i (serial code A995, AGJC)

| Part Number | Description | Bubble Number |
|--------------------|-------------------------------------|----------------------|
| 45352-102 | WLDMT, LWR FRM, VERT EFX, THD, PT | 1 |
| 48130-104 | ASSY, UPPER PCA & SW, C534I-T3 | 4 |
| 48017-101 | ASSY, DISPLAY, TOUCHSENSOR, ENG T3 | 6 |
| 44905-084 | ASSY,CBL,MOD,8P8C,1-1,84" | 7 |
| 44905-108 | ASSY,CBL,MOD,8P8C,1-1,108" | 8 |
| 45600-505 | PCA, EFX SELF POWER LOWER 6-PHASE, | 9 |
| 48245-101 | ASSY, LOWER PCA & SW, C534I SP, 6-P | 9.01 |
| 47686-101 | ASSY, HANDLEBAR, LEFT, 5.33 | 21 |
| 47686-102 | ASSY, HANDLEBAR, RIGHT, 5.33 | 22 |
| 48242-211 | CPU, PGMD, EFX C534I, SELF POWER 6- | 27 |
| 11415-101 | COUPLER,MOD,8P8C,INLINE | 29 |
| 48026-101 | RECEIVER, WIRELESS, HEART RATE, POL | 30 |
| 45082-101 | TOUCH SENSOR SHIELD,9 KEY | 35 |
| 43329-102 | WIRE FORM,PLASTIC,COMMERCIAL | 36 |
| 44322-105 | WELDMENT, ARC TUBE, THREADED, 5.33, | 37 |
| 44384-102 | COVER, UPPER MOUNT, RETAIL EFX, STO | 41 |
| 44318-106 | WELDMENT, MAIN TUBE, RIGHT, RETAIL | 42 |
| 44318-105 | WELDMENT, MAIN TUBE, LEFT, RETAIL E | 43 |
| 45401-102 | ASSY, RAMP, C534 | 44 |
| 44333-103 | ASSY, RAMP, LIFT BRKT, RETAIL EFX | 45 |
| 46855-104 | WELDMENT,STAIRARM RAIL,5.19, EFX,RH | 47 |
| 46855-103 | WELDMENT,STAIRARM RAIL,5.19, EFX,LH | 48 |
| 48337-101 | ASSY, STAIRARM WHEEL, CONSUMER EFX, | 49 |
| 37314-108 | PEDAL, FOOT | 50 |
| 45994-101 | ASSEMBLY,LINK,TOTAL BODY | 54 |
| 44363-103 | ASSEMBLY, CRANK ARM, RETAIL, W/PRES | 58 |
| 45976-101 | ASSEMBLY, DRIVE INPUT,17:1 DRIVE, E | 61 |
| 10217-138 | BELT, DRIVE, 360J16 POLY V | 62 |
| 45974-101 | ASSY,STEP-UP,17:1 DRIVE,EFX | 63 |
| 10217-139 | BELT, DRIVE, 460J8 POLY V | 64 |
| 50592-102 | RETROKIT ADAPTOR CABLE/GENERATOR | 65 |
| 39700-101 | ASSEMBLY, RESISTOR, 240W | 69 |
| 45970-101 | ASSY, BATTERY W/CABLE,SLA,12V,7AH,. | 72 |
| 45908-105 | BRACKET, BATTERY, LARGE, SELF POWER | 73 |
| 45909-101 | SPACER, BATTERY BRACKET, SELF-POWER | 74 |
| 44940-101 | ASSY,DRIVE WELDMT,SP EFX | 75 |
| 44527-109 | ASSY, EFX COVER, RIGHT SIDE | 76 |
| 44527-111 | ASSY, EFX COVER, LEFT SIDE, SP | 77 |
| 44479-102 | ASSY, FRONT PANEL, EFX COVER, REAR, | 78 |
| 43707-103 | SUPPORT, REAR COVER,STONE GRAY | 79 |
| 43840-102 | WEDGE, REAR COVER, EFX,STONE GRAY | 80 |
| 47347-101 | LABEL, EFX COVER, REAR, STONE GREY | 81 |
| 47355-101 | LABEL, EFX LOGO, REAR COVER, DURO-L | 82 |
| 47086-102 | LABEL, WIRING DIAGRAM,C546I/C556I/C | 83 |
| 47983-101 | LABEL, WIRING DIAGRAM, C524I/C534I, | 83 |
| 45252-035 | ASSY,CBL,2C,PWR JACK/.08 RECP,35" | 84 |
| 43179-104 | BACKPLATE, DISPLAY, COMMERCIAL ,STO | 85 |
| 11406-103 | FOOT, LEVELER, RUBBER BASE, 1.5"LG | 86 |
| 37534-102 | FOOT, ADJUSTABLE | 87 |

| | | |
|--------------|-------------------------------------|-----|
| 37535-102 | FOOT, FIXED | 88 |
| 38301-101 | ASSY,PIVOT BLOCK | 89 |
| 44480-103 | ASSY, TOP PANEL, EFX COVER, REAR | 90 |
| 12264-101 | RJ-45 TELEPHONE JACK PLUG | 101 |
| 45696-032 | ASSY,CBL,FFC,12COND,28AWG,3.2" | 146 |
| PMKN016-050 | SCREW,TCS,#8X1/2,PHIL,BLK ZN,TYPE25 | 151 |
| 47950-101 | LABEL, ACCESSORY TRAY,EN, C534I, ST | 152 |
| 10123-102 | CABLE TIE, 3-7/8 LONG,WHITE,NYL | 153 |
| MGCN016-038 | SCREW,MCH,8-32X3/8,PANHD,PHIL, | 155 |
| 44391-503 | ASSY,CASTING,UPPER,LEFT,OUTSRCD | 176 |
| 44391-504 | ASSY, CASTING, UPPER, PIVOT, RT, OU | 177 |
| PANKN025-050 | SCREW,S/T,#1/4-20X1/2,PANHD,PHIL,BZ | 178 |
| 38580-114 | GRIP,HANDLEBAR, 14" LONG | 189 |
| 47718-102 | HOLE PLUG, PLASTIC .875 X.13-.18 | 190 |
| CAKN025-088 | SCREW,SKHD,1/4-20X7/8,BLK ZN,LK | 201 |
| 11476-102 | PIN, RING, LOCKOUT | 202 |
| WATNN020-002 | WASHER, LK-INT, #10, ID=.200, | 203 |
| CBKN019-050 | SCREW,SKHD,#10X32X0.50,BLK ZN,LK | 204 |
| 47546-101 | LABEL, CAUTION | 251 |
| 10136-103 | CLIP,U TYPE, TINNEMAN, 1/4-20 | 252 |
| 48340-101 | SPACER, RAIL, URETHANE | 276 |
| TENE006-010 | SCREW,BTTNHD,SKT C/S,M6X1X10MM | 277 |
| KDKN031-025 | LOCKNUT, HALF, 5/16-18,BLK ZN | 278 |
| KAKN031-016 | LOCKNUT,HALF, 5/16-18,BLK ZINC | 279 |
| RAKN031-200 | SCREW,SHLDR,3/8 X 2 ,HEX | 280 |
| HAKN031-200 | SCREW, HEX HD, 5/16-18 X 2, BLK ZN | 281 |
| 47773-102 | HOOK, STAIRARM, 5.33, LH | 282 |
| 47773-101 | HOOK, STAIRARM, 5.33, RH | 283 |
| WBKN031-007 | WASHER, FLT, 5/16, ID=.344, | 284 |
| CAKN031-200 | SCREW,SKHD,5/16-18X2,BLK ZN,LK | 285 |
| 47000-101 | SPACER, LINK/STAIRARM,556I | 286 |
| 48340-102 | SPACER, RAIL ,URETHANE, RED | 295 |
| AAHN063-003 | RING, RETAINER, 5/8, EXTERNAL | 302 |
| 10178-107 | BUSHING, SNAP | 303 |
| 10178-112 | BUSHING, SNAP | 304 |
| 12515-101 | CLAMP, CABLE, BLACK, RELEASABLE ON | 306 |
| 47095-042 | ASSY,CBL,22AWG,6P6C TO 8P6C,MINI-FI | 309 |
| CAKN031-075 | SCREW,SKHD,5/16-18X0.75,BLK ZN,LK | 311 |
| HJCN031-175 | SCREW,HEX,5/16-18X1.75 ,ZINC,FULLY | 314 |
| KMCN031-023 | NUT, HEX, 5/16-18, ZINC | 317 |
| TFKN025-075 | SCREW,BTHD,1/4-20X3/4,BLK ZN | 318 |
| KGCN031-027 | LOCKNUT,STARWASHER,5/16-18,1/2 | 319 |
| PANKN025-050 | SCREW,S/T,#1/4-20X1/2,PANHD,PHIL,BZ | 320 |
| RAKN038-125 | SCREW,SHLD,3/8X1-1/4,HEXSC,BLK ZN | 321 |
| WAGNN062-001 | WASHER, WAVE, .87 OD X .62 ID | 324 |
| WAGNN048-001 | WASHER,WAVE (SSR-0062) | 325 |
| WNNN051-002 | WASHER,SHIM,1/2X3/4X.020THK | 327 |
| WNNN063-001 | WASHER, FLT, 5/8X.880X.010 | 328 |
| WRCN031-009 | WASHER,GRADE 8,3/8,13/32 ID,13/16OD | 330 |
| 47545-101 | LABEL, CAUTION PINCH POINTS | 331 |
| PMKN016-088 | SCREW,TCS,#8X7/8,PHIL,BLK ZN,TYPE 2 | 332 |

| | | |
|-------------|-------------------------------------|-----|
| 44386-102 | COVER, RAMP FRONT, 5.33, STONE GREY | 333 |
| CAKN031-048 | SCREW,SHC, 5/16-18X7/16 LG, BLK ZN | 335 |
| HAKN038-100 | SCREW,HEXHEAD,GRADE2,3/8-16X1,BLKZN | 336 |
| KDKN038-034 | LOCKNUT,FULL,3/8-16,BLK ZN | 337 |
| PGKN016-100 | SCREW, S/T, #8 X 1, TRS, PHIL, BLK | 338 |
| 47682-101 | WELDMENT, RAMP SUPPORT, PAINTED | 339 |
| WBKN038-007 | WASHER, FLT, 3/8, ID=.406, BLK ZN | 340 |
| CECE005-014 | SCREW, SKHD, M5 X .08 X 14MM, ZN,LK | 345 |
| 47002-101 | CAP, TUBE, PLASTIC, ROUND, 1.625 DI | 346 |
| HCCE038-150 | SCREW,HEX,GR 5,3/8-16X1 1/2,ZN,LK | 347 |
| WCCN038-008 | WASHER, FLT, 3/8X1.00X.083 | 348 |
| ACHN131-003 | RING, RETAINER,INTERNAL, 1.312 SPIR | 349 |
| WNNN032-009 | WASHER,FLT, .321X1.00X.090 THK | 351 |
| HTKT008-018 | BOLT,SHIMANO CRANK,M8X18MM, NYLK | 352 |
| WRCN038-011 | WASHER,GRADE 8,3/8,13/32 ID,13/16OD | 353 |
| KGCN038-033 | LOCKNUT, STARWASHER, 3/8-16 | 354 |
| 37385-101 | BRACKET, TENSIONER | 355 |
| 37855-103 | TAB, LOCKING | 356 |
| HACN025-250 | SCREW,1/4-20X2-1/2,HEX,GR 2,ZN | 357 |
| 11278-101 | CABLE CLAMP,INSERT | 358 |
| PKCN019-050 | SCREW,S/T,#10X1/2,WSHHXHD,ZN | 360 |
| 12289-806 | SPCR,SELFRETAIN,NYLN,#8(M-4),3/8" | 361 |
| 44966-102 | PLATE,CHARGER CONNECTOR,SP, EFX | 401 |
| MGKN013-025 | SCREW,MCH,6-32X1/4,PANHD,PHIL, | 402 |
| 45910-101 | TAB, BATTERY BRACKET, SELF-POWERED | 457 |
| KGCN025-020 | LOCKNUT,STARWASHER,1/4-20,ZN | 458 |
| 47098-031 | ASSY,CBL, HIGH TEMP, 600V, | 459 |
| 47098-027 | ASSY,CBL, HIGH TEMP, 600V, | 460 |
| PMKN016-050 | SCREW,TCS,#8X1/2,PHIL,BLK ZN,TYPE25 | 461 |
| 12103-101 | CLAMP,CABLE,VINYL COATED | 462 |
| 10379-109 | GROMMET, 49/64 OD, 1/4 ID | 463 |
| KNCN019-013 | NUT,HEX,10-32,ZINC | 464 |
| PKCN019-075 | SCREW,S/T,#10X.75,WSHHXHD,ZN | 526 |
| WBCN019-005 | WASHER, SAE, #10, ZN | 527 |
| 47792-101 | KIT, HARDWARE, THREADED, 5.33, STON | 901 |
| 10186-104 | WRENCH, ALLEN, 5/16 | 902 |
| 43294-101 | SCREW, SHOULDER | 903 |
| 11311-101 | ENDCAP, REC TUBE, BLACK PLASTIC, 50 | 904 |
| HAKN038-100 | SCREW,HEXHEAD,GRADE2,3/8-16X1,BLKZN | 905 |
| HCKN031-100 | SCREW,HEX,GR 5, 5/16-18 X1LG,BLK ZN | 906 |
| WBKN031-007 | WASHER, FLT, 5/16, ID=.344, | 907 |
| MGKN025-050 | SCREW, PANHD, 1/4-20 X .5, BLK ZN | 908 |
| KPCN031-019 | NUT,HEX THIN,5/16-18,ZN | 909 |
| WBKN038-007 | WASHER, FLT, 3/8, ID=.406, BLK ZN | 910 |
| WCCN038-008 | WASHER, FLT, 3/8X1.00X.083 | 911 |
| 47001-101 | SHAFT, LINK BUSHING, 556I | 912 |
| 47002-101 | CAP, TUBE, PLASTIC, ROUND, 1.625 DI | 913 |
| KAKN038-027 | LOCKNUT,HALF,3/8-16,BLK ZN | 914 |
| 45368-105 | KIT, LITERATURE, C534I | 999 |

C534i (serial code A995, AGJC)

| Part Number | Description | Bubble Number |
|--------------------|-------------------------------------|----------------------|
| 45352-102 | WLDMT, LWR FRM, VERT EFX, THD, PT | 1 |
| 48130-104 | ASSY, UPPER PCA & SW, C534I-T3 | 4 |
| 48017-101 | ASSY, DISPLAY, TOUCHSENSOR, ENG T3 | 6 |
| 44905-084 | ASSY,CBL,MOD,8P8C,1-1,84" | 7 |
| 44905-108 | ASSY,CBL,MOD,8P8C,1-1,108" | 8 |
| 45600-505 | PCA, EFX SELF POWER LOWER 6-PHASE, | 9 |
| 48245-101 | ASSY, LOWER PCA & SW, C534I SP, 6-P | 9.01 |
| 47686-101 | ASSY, HANDLEBAR, LEFT, 5.33 | 21 |
| 47686-102 | ASSY, HANDLEBAR, RIGHT, 5.33 | 22 |
| 48242-211 | CPU, PGMD, EFX C534I, SELF POWER 6- | 27 |
| 11415-101 | COUPLER,MOD,8P8C,INLINE | 29 |
| 48026-101 | RECEIVER, WIRELESS, HEART RATE, POL | 30 |
| 45082-101 | TOUCH SENSOR SHIELD,9 KEY | 35 |
| 43329-102 | WIRE FORM,PLASTIC,COMMERCIAL | 36 |
| 44322-105 | WELDMENT, ARC TUBE, THREADED, 5.33, | 37 |
| 44384-102 | COVER, UPPER MOUNT, RETAIL EFX, STO | 41 |
| 44318-106 | WELDMENT, MAIN TUBE, RIGHT, RETAIL | 42 |
| 44318-105 | WELDMENT, MAIN TUBE, LEFT, RETAIL E | 43 |
| 45401-102 | ASSY, RAMP, C534 | 44 |
| 44333-103 | ASSY, RAMP, LIFT BRKT, RETAIL EFX | 45 |
| 46855-104 | WELDMENT,STAIRARM RAIL,5.19, EFX,RH | 47 |
| 46855-103 | WELDMENT,STAIRARM RAIL,5.19, EFX,LH | 48 |
| 48337-101 | ASSY, STAIRARM WHEEL, CONSUMER EFX, | 49 |
| 37314-108 | PEDAL, FOOT | 50 |
| 45994-101 | ASSEMBLY,LINK,TOTAL BODY | 54 |
| 44363-103 | ASSEMBLY, CRANK ARM, RETAIL, W/PRES | 58 |
| 45976-101 | ASSEMBLY, DRIVE INPUT,17:1 DRIVE, E | 61 |
| 10217-138 | BELT, DRIVE, 360J16 POLY V | 62 |
| 45974-101 | ASSY,STEP-UP,17:1 DRIVE,EFX | 63 |
| 10217-139 | BELT, DRIVE, 460J8 POLY V | 64 |
| 50592-102 | RETROKIT ADAPTOR CABLE/GENERATOR | 65 |
| 39700-101 | ASSEMBLY, RESISTOR, 240W | 69 |
| 45970-101 | ASSY, BATTERY W/CABLE,SLA,12V,7AH,. | 72 |
| 45908-105 | BRACKET, BATTERY, LARGE, SELF POWER | 73 |
| 45909-101 | SPACER, BATTERY BRACKET, SELF-POWER | 74 |
| 44940-101 | ASSY,DRIVE WELDMT,SP EFX | 75 |
| 44527-109 | ASSY, EFX COVER, RIGHT SIDE | 76 |
| 44527-111 | ASSY, EFX COVER, LEFT SIDE, SP | 77 |
| 44479-102 | ASSY, FRONT PANEL, EFX COVER, REAR, | 78 |
| 43707-103 | SUPPORT, REAR COVER,STONE GRAY | 79 |
| 43840-102 | WEDGE, REAR COVER, EFX,STONE GRAY | 80 |
| 47347-101 | LABEL, EFX COVER, REAR, STONE GREY | 81 |
| 47355-101 | LABEL, EFX LOGO, REAR COVER, DURO-L | 82 |
| 47086-102 | LABEL, WIRING DIAGRAM,C546I/C556I/C | 83 |
| 47983-101 | LABEL, WIRING DIAGRAM, C524I/C534I, | 83 |
| 45252-035 | ASSY,CBL,2C,PWR JACK/.08 RECP,35" | 84 |
| 43179-104 | BACKPLATE, DISPLAY, COMMERCIAL ,STO | 85 |
| 11406-103 | FOOT, LEVELER, RUBBER BASE, 1.5"LG | 86 |
| 37534-102 | FOOT, ADJUSTABLE | 87 |

| | | |
|--------------|-------------------------------------|-----|
| 37535-102 | FOOT, FIXED | 88 |
| 38301-101 | ASSY,PIVOT BLOCK | 89 |
| 44480-103 | ASSY, TOP PANEL, EFX COVER, REAR | 90 |
| 12264-101 | RJ-45 TELEPHONE JACK PLUG | 101 |
| 45696-032 | ASSY,CBL,FFC,12COND,28AWG,3.2" | 146 |
| PMKN016-050 | SCREW,TCS,#8X1/2,PHIL,BLK ZN,TYPE25 | 151 |
| 47950-101 | LABEL, ACCESSORY TRAY,EN, C534I, ST | 152 |
| 10123-102 | CABLE TIE, 3-7/8 LONG,WHITE,NYL | 153 |
| MGCN016-038 | SCREW,MCH,8-32X3/8,PANHD,PHIL, | 155 |
| 44391-503 | ASSY,CASTING,UPPER,LEFT,OUTSRCD | 176 |
| 44391-504 | ASSY, CASTING, UPPER, PIVOT, RT, OU | 177 |
| PANKN025-050 | SCREW,S/T,#1/4-20X1/2,PANHD,PHIL,BZ | 178 |
| 38580-114 | GRIP,HANDLEBAR, 14" LONG | 189 |
| 47718-102 | HOLE PLUG, PLASTIC .875 X.13-.18 | 190 |
| CAKN025-088 | SCREW,SKHD,1/4-20X7/8,BLK ZN,LK | 201 |
| 11476-102 | PIN, RING, LOCKOUT | 202 |
| WATNN020-002 | WASHER, LK-INT, #10, ID=.200, | 203 |
| CBKN019-050 | SCREW,SKHD,#10X32X0.50,BLK ZN,LK | 204 |
| 47546-101 | LABEL, CAUTION | 251 |
| 10136-103 | CLIP,U TYPE, TINNEMAN, 1/4-20 | 252 |
| 48340-101 | SPACER, RAIL, URETHANE | 276 |
| TENE006-010 | SCREW,BTTNHD,SKT C/S,M6X1X10MM | 277 |
| KDKN031-025 | LOCKNUT, HALF, 5/16-18,BLK ZN | 278 |
| KAKN031-016 | LOCKNUT,HALF, 5/16-18,BLK ZINC | 279 |
| RAKN031-200 | SCREW,SHLDR,3/8 X 2 ,HEX | 280 |
| HAKN031-200 | SCREW, HEX HD, 5/16-18 X 2, BLK ZN | 281 |
| 47773-102 | HOOK, STAIRARM, 5.33, LH | 282 |
| 47773-101 | HOOK, STAIRARM, 5.33, RH | 283 |
| WBKN031-007 | WASHER, FLT, 5/16, ID=.344, | 284 |
| CAKN031-200 | SCREW,SKHD,5/16-18X2,BLK ZN,LK | 285 |
| 47000-101 | SPACER, LINK/STAIRARM,556I | 286 |
| 48340-102 | SPACER, RAIL ,URETHANE, RED | 295 |
| AAHN063-003 | RING, RETAINER, 5/8, EXTERNAL | 302 |
| 10178-107 | BUSHING, SNAP | 303 |
| 10178-112 | BUSHING, SNAP | 304 |
| 12515-101 | CLAMP, CABLE, BLACK, RELEASABLE ON | 306 |
| 47095-042 | ASSY,CBL,22AWG,6P6C TO 8P6C,MINI-FI | 309 |
| CAKN031-075 | SCREW,SKHD,5/16-18X0.75,BLK ZN,LK | 311 |
| HJCN031-175 | SCREW,HEX,5/16-18X1.75 ,ZINC,FULLY | 314 |
| KMCN031-023 | NUT, HEX, 5/16-18, ZINC | 317 |
| TFKN025-075 | SCREW,BTHD,1/4-20X3/4,BLK ZN | 318 |
| KGCN031-027 | LOCKNUT,STARWASHER,5/16-18,1/2 | 319 |
| PANKN025-050 | SCREW,S/T,#1/4-20X1/2,PANHD,PHIL,BZ | 320 |
| RAKN038-125 | SCREW,SHLD,3/8X1-1/4,HEXSC,BLK ZN | 321 |
| WAGNN062-001 | WASHER, WAVE, .87 OD X .62 ID | 324 |
| WAGNN048-001 | WASHER,WAVE (SSR-0062) | 325 |
| WNNN051-002 | WASHER,SHIM,1/2X3/4X.020THK | 327 |
| WNNN063-001 | WASHER, FLT, 5/8X.880X.010 | 328 |
| WRCN031-009 | WASHER,GRADE 8,3/8,13/32 ID,13/16OD | 330 |
| 47545-101 | LABEL, CAUTION PINCH POINTS | 331 |
| PMKN016-088 | SCREW,TCS,#8X7/8,PHIL,BLK ZN,TYPE 2 | 332 |